

- Disinfection time < 15 min
- UVC air & surface
- 1x TUV 55W HO (Philips)
- No ozone emission
- IP20 - dustproof



B Direct disinfects air and surface (up to 22 m²), prevents secondary infections and eliminates bacteria, viruses and fungal and mold spores in the air. All direct radiating fixtures have a standard double security with a moving sensor and an extra safety. It can be used in production halls, hospitals, health care facilities, pharmacies, public transport and many more.

FUNCTION

- Disinfect secondary infections
- Eliminates bacteria
- Deactivates virus
- Kill fungi
- Kill mold

APPLICATIONS

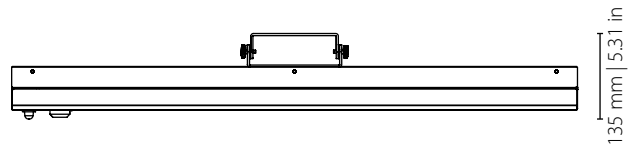
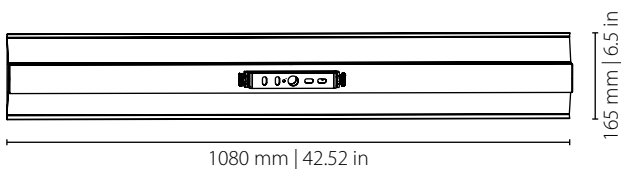
The B Direct can be used everywhere where air and surface needs to be sterilized, such as:

- Production halls,
- Hospitals,
- Healthcare facilities,
- Public transport,
- ...

SPECIFICATIONS

Beam angle	100°
Wavelength	253.7nm (254nm)
Lamp life	> 9.000 hrs
Alarm noise level @ 1m center	70 dB
Irradiance @ 1m	150 microW/cm ²
UVC radiation @ 100 hrs	17,5 W
Coverage	up to 22 m ²
Disinfection time	< 15 min
Voltage	230 V; 50 Hz
Power consumption	57 W
Movement detector	360 deg RF
Visual alarm	Red LED
Audio alarm	70 dB
Net weight	5 kg 10 lb
Gross weight	6 kg 13 lb

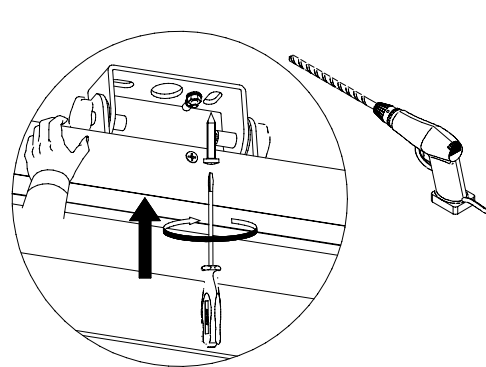
DIMENSIONS



MOUNTING

Hanging bracket

5 holes
20 mm center hole



COMPLIANCE (DIRECTIVE EP AND C NO.)

2014/35/EU	LVD recast of 2006/95/EC	2011/65/EU + 2015/863	ROHS
2014/30/EU	EMC	2012/19/EU	WEEE

CERTIFICATIONS

CE	Yes	CETL	Pending
ETL	Pending		



Available exclusively from ULA Health Care and our network of partners
AUS: 1300 852 476 | NZ: +64 9 218 6532 | Email: info@ulahealthcare.com