

- Disinfection time < 15 min
- UVC air & surface
- 2x TUV 55W HO (Philips)
- No ozone emission
- IP20 - dustproof



B Direct II disinfects air and surface (up to 38 m<sup>2</sup>), prevents secondary infections and eliminates bacteria, viruses and fungal and mold spores in the air. All direct radiating fixtures have a standard double security with a moving sensor and an extra safety. It can be used in production halls, hospitals, health care facilities, pharmacies, public transport and many more.

## FUNCTION

---

- Disinfect secondary infections
- Eliminates bacteria
- Deactivates virus
- Kill fungi
- Kill mold

## APPLICATIONS

---

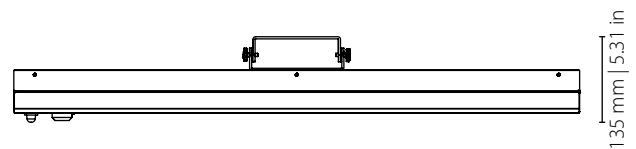
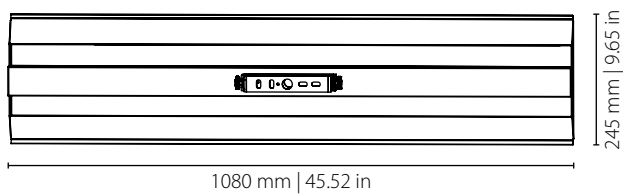
The B Direct II can be used everywhere where air and surface needs to be sterilized, such as:

- Production halls,
- Hospitals,
- Healthcare facilities,
- Public transport,
- ...

## SPECIFICATIONS

<b>Beam angle</b>	100°
<b>Wavelength</b>	253.7nm (254nm)
<b>Lamp life</b>	> 9.000 hrs
<b>Alarm noise level @ 1m center</b>	70 dB
<b>Irradiance @ 1m</b>	300 microW/cm <sup>2</sup>
<b>UVC radiation @ 100 hrs</b>	35 W
<b>Coverage</b>	up to 38 m <sup>2</sup>
<b>Disinfection time</b>	< 15 min
<b>Voltage</b>	230 V; 50 Hz
<b>Power consumption</b>	112 W
<b>Movement detector</b>	360 deg RF
<b>Visual alarm</b>	Red LED
<b>Audio alarm</b>	70 dB
<b>Net weight</b>	5,3 kg   11.7 lb
<b>Gross weight</b>	6,3 kg   13.9 lb

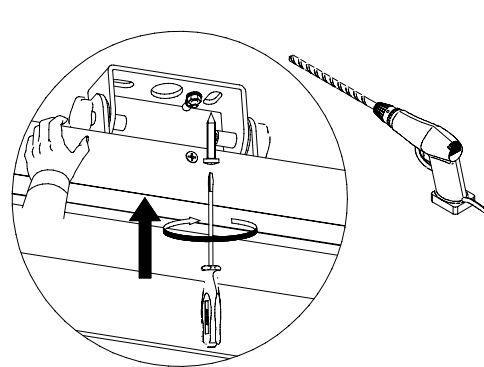
## DIMENSIONS



## MOUNTING

### Hanging bracket

5 holes  
20 mm center hole



## COMPLIANCE (DIRECTIVE EP AND C NO.)

---

<b>2014/35/EU</b>	LVD recast of 2006/95/EC	<b>2011/65/EU + 2015/863</b>	ROHS
<b>2014/30/EU</b>	EMC	<b>2012/19/EU</b>	WEEE

---

## CERTIFICATIONS

---

<b>CE</b>	Yes	<b>CETL</b>	Pending
<b>ETL</b>	Pending		

---



Available exclusively from ULA Health Care and our network of partners  
AUS: 1300 852 476 | NZ: +64 9 218 6532 | Email: [info@ulahealthcare.com](mailto:info@ulahealthcare.com)