



Indirect UVC air disinfection unit

- **UVC air**
- **2x TUV 55W HO (Philips)**
- **No ozone emission**
- **IP20 - dustproof**



B Air takes care of 24h air disinfection in the presence of people and animals and eliminates bacteria, viruses and fungal and mold spores in the air. This indirect UVC air disinfection unit can be used in production halls, health care facilities, pharmacies, public transport, shops and many more.

FUNCTION

- Disinfect secondary infections
- Eliminates bacteria
- Deactivates virus
- Kill airborne fungi
- Kill airborne mold

APPLICATIONS

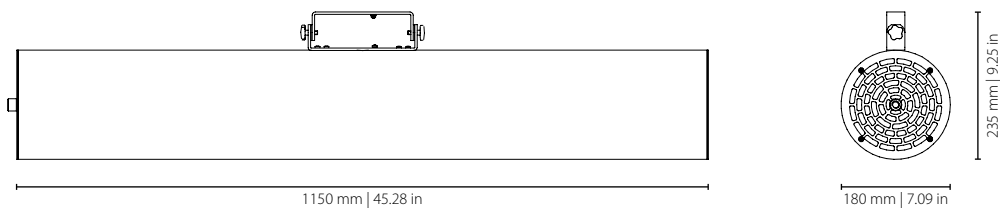
The B Air can be used everywhere where air needs to be sterilized, such as:

- Production halls,
- Hospitals,
- Healthcare facilities,
- Public transport,
- ...

SPECIFICATIONS

Wavelength	253.7nm (254nm)
Lamp life	> 9.000 hrs
Fan noise level @ 1m center	42 dB
Coverage	up to 25 m ²
Fan capacity	117 m ³ /h
Voltage	230 V; 50 Hz
Power consumption	129 W
Net weight	9 kg 19,8 lb
Gross weight	10 kg 22 lb

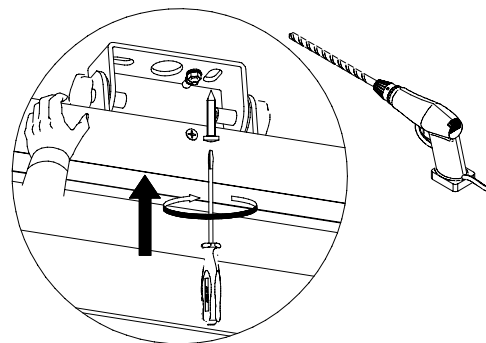
DIMENSIONS



MOUNTING

Hanging bracket

5 holes
20 mm center hole



COMPLIANCE (DIRECTIVE EP AND C NO.)

2014/35/EU	LVD recast of 2006/95/EC	2011/65/EU + 2015/863	ROHS
2014/30/EU	EMC	2012/19/EU	WEEE

CERTIFICATIONS

CE	Yes	CETL	Pending
ETL	Pending		



Available exclusively from ULA Health Care and our network of partners
AUS: 1300 852 476 | NZ: +64 9 218 6532 | Email: info@ulahealthcare.com